

AGS 104090205036

November 07, 2016

Shape and Style	Round Brilliant
Measurements:	5.44 - 5.47 x 3.34 mm
Cut Grade	AGS Ideal 0
Color Grade	AGS 1.5 (G)
Clarity Grade	AGS 3 (VS1)
Carat Weight	0.606 cts.

Comments

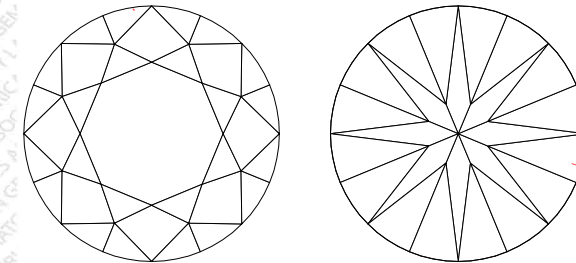
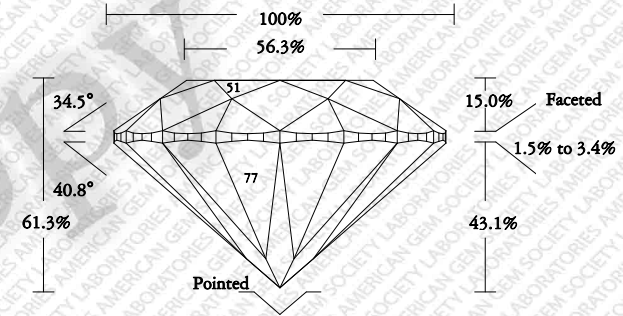
Fluorescence: Negligible

IMPORTANT NOTICE:

All three quality factors of Cut, Color, and Clarity can dramatically affect the beauty and value of a diamond. Because of cutting, diamonds with the same color and clarity grades can vary in value by as much as 50% or more. Therefore, it is advisable to consult a Certified Gemologist® or other credentialed gemologist, before purchasing this Diamond.

THIS DOCUMENT IS NOT A WARRANTY, GUARANTEE, OR APPRAISAL OF VALUE.

Performance-Based



Key to Symbols

Feather 



PLOT INFORMATION: The Clarity grade is diagrammed using the clarity symbols contained in the AGS Diamond Standards Manual. Red marks indicate inclusions; green marks indicate external blemishes.

Cut Scale	0	1	2	3	4	5	6	7	8	9	10													
	AGS Ideal	AGS Excellent	AGS Very Good	AGS Good		AGS Fair			AGS Poor															
Color Scale	0	0.5	1.0	1.5	2.0	2.5	3.0	3.5	4.0	4.5	5.0	5.5	6.0	6.5	7.0	7.5	8.0	8.5	9.0	9.5	10.0	To	Fancy Yellow	
	D	E	F	G	H	I	J	K	L	M	N	O	P	Q	R	S	T	U	V	W	X	Y	Z	Fancy Yellow
	COLORLESS			NEAR COLORLESS			FAINT			VERY LIGHT			LIGHT											
Clarity Scale	0	1	2	3	4	5	6	7	8	9	10													
	FLAWLESS / IF	VVS1	VVS2	VS1	VS2	SI1	SI2		I1		I2	I3												

ORIGINAL

Light Performance	0
Proportion Factors	0
Finish	0
Polish	Ideal
Symmetry	Ideal