



AMERICAN GEM SOCIETY
LABORATORIES™

AGS 104099779001

May 18, 2018

1.033 cts



Setting the Highest Standard for Diamond Grading®

The Proprietary Light Performance Diamond Quality® Document

Shape and Style
Measurements

Round Brilliant
6.44 - 6.47 x 4.01 mm

PERFECTION™
CUT FOR PERFORMANCE

Cut Grade

AGS Ideal 0

Light Performance

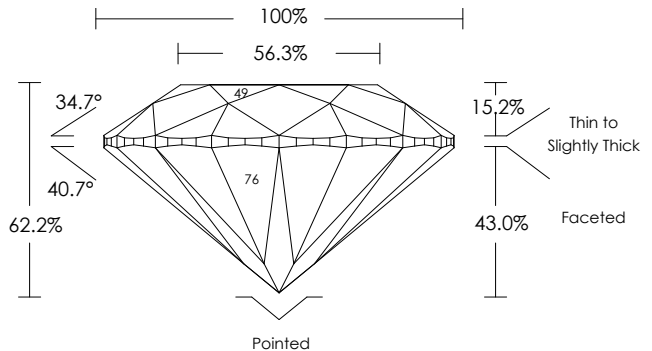
AGS Ideal 0

Polish

AGS Ideal 0

Symmetry

AGS Ideal 0



Color Grade

(J) AGS 3.0

Clarity Grade

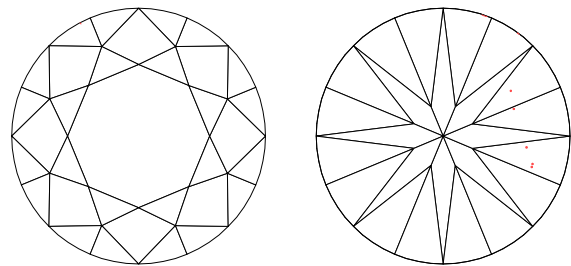
(VVS1) AGS 1

Carat Weight

1.033 cts

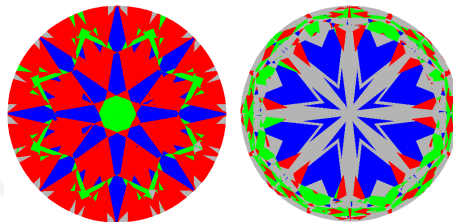
Comments

Fluorescence: Negligible
Girdle inscribed "AGS 104099779001"
Clouds not shown



Key to Symbols

Pinpoint
Feather



AGSL Computer Generated Light Performance Map for this Diamond.
U.S. Patent No: 7382445, 7420657, 7372552

Cut Scale

Brightness Less Bright
 Contrast Light Leakage

AGS	0	1	2	3	4	5	6	7	8	9	10
	AGS Ideal	AGS Excellent	AGS Very Good	AGS Good		AGS Fair			AGS Poor		

Color Scale

AGS	0.0	0.5	1.0	1.5	2.0	2.5	3.0	3.5	4.0	4.5	5.0	5.5	6.0	6.5	7.0	7.5	8.0	8.5	9.0	9.5	10.0	To Fancy Yellow		
	Colorless			Near Colorless			Faint			Very Light						Light				Fancy Yellow				
GIA	D	E	F	G	H	I	J	K	L	M	N	O	P	Q	R	S	T	U	V	W	X	Y	Z	Fancy Yellow

Clarity Scale

AGS	0	1	2	3	4	5	6	7	8	9	10
	Flawless/IF	Very Very Slightly Included		Very Slightly Included		Slightly Included		Included			
GIA	Flawless/IF	VVS1	VVS2	VS1	VS2	S11	S12	I1		I3	

THIS IS A REPRESENTATION OF THE ACTUAL DOCUMENT ORIGINAL