



AMERICAN GEM SOCIETY  
LABORATORIES™

AGS 104100982001

July 26, 2018

1.077 cts



Setting the Highest Standard for Diamond Grading®

The Proprietary Light Performance Diamond Quality® Document

Shape and Style  
Measurements

Round Brilliant  
6.52 - 6.57 x 4.08 mm

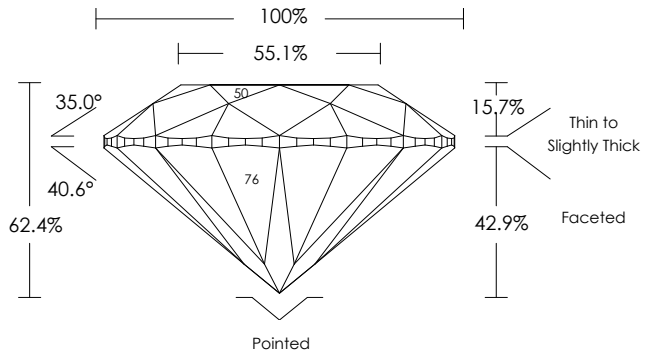
PERFECTION™  
CUT FOR PERFORMANCE

Cut Grade

AGS Ideal 0

Light Performance  
Polish  
Symmetry

AGS Ideal 0  
AGS Ideal 0  
AGS Ideal 0



Color Grade

(I) AGS 2.5

Clarity Grade

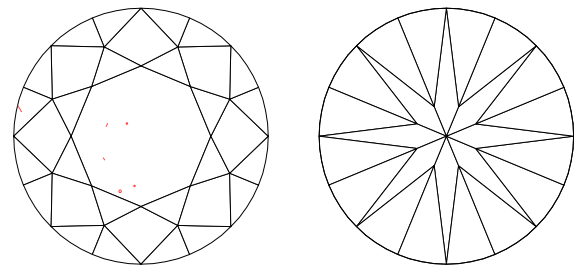
(VS1) AGS 3

Carat Weight

1.077 cts

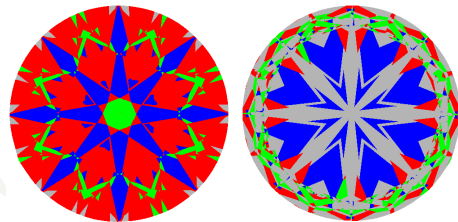
Comments

Fluorescence: Negligible  
Girdle inscribed "AGS 104100982001"  
Clouds not shown



Key to Symbols

- Feather ~
- Crystal /
- Needle /
- Pinpoint •



AGSL Computer Generated Light Performance Map for this Diamond.  
U.S. Patent No: 7382445, 7420657, 7372552

Cut Scale

- Brightness
- Contrast
- Less Bright
- Light Leakage

AGS	0	1	2	3	4	5	6	7	8	9	10
	AGS Ideal	AGS Excellent	AGS Very Good	AGS Good		AGS Fair			AGS Poor		

Color Scale

AGS	0.0	0.5	1.0	1.5	2.0	2.5	3.0	3.5	4.0	4.5	5.0	5.5	6.0	6.5	7.0	7.5	8.0	8.5	9.0	9.5	10.0	To Fancy Yellow		
	Colorless		Near Colorless			Faint			Very Light						Light					Fancy Yellow				
GIA	D	E	F	G	H	I	J	K	L	M	N	O	P	Q	R	S	T	U	V	W	X	Y	Z	Fancy Yellow

Clarity Scale

AGS	0	1	2	3	4	5	6	7	8	9	10
	Flawless/IF	Very Very Slightly Included		Very Slightly Included		Slightly Included		Included			
GIA	Flawless/IF	VVS1	VVS2	VS1	VS2	S11	S12	I1		I2	I3

THIS IS A REPRESENTATION OF THE ACTUAL DOCUMENT ORIGINAL