



AMERICAN GEM SOCIETY  
LABORATORIES™

AGS 104101401001

August 16, 2018

2.050 cts

Setting the Highest Standard for Diamond Grading®



The Proprietary Light Performance Diamond Quality® Document

Shape and Style  
Measurements

Round Brilliant

8.12 - 8.15 x 5.05 mm

PERFECTION™  
CUT FOR PERFORMANCE

Cut Grade

AGS Ideal 0

Light Performance

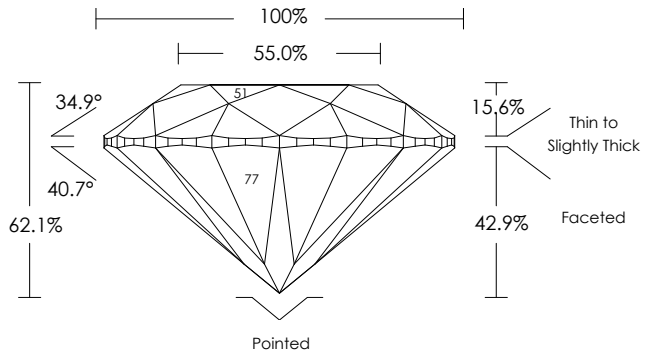
AGS Ideal 0

Polish

AGS Ideal 0

Symmetry

AGS Ideal 0



Color Grade

(J) AGS 3.0

Clarity Grade

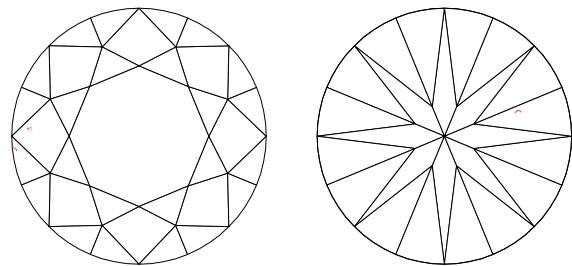
(VS1) AGS 3

Carat Weight

2.050 cts

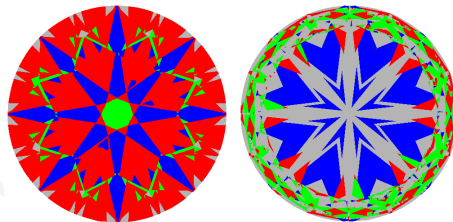
Comments

Fluorescence: Negligible  
Girdle inscribed "AGS 104101401001"  
Clouds not shown



Key to Symbols

Feather (red squiggle)  
Cloud (red dashed circle)



AGSL Computer Generated Light Performance Map for this Diamond.  
U.S. Patent No: 7382445, 7420657, 7372552

Cut Scale

Brightness (red), Contrast (blue), Less Bright (green), Light Leakage (grey)

AGS	0	1	2	3	4	5	6	7	8	9	10
	AGS Ideal	AGS Excellent	AGS Very Good	AGS Good		AGS Fair			AGS Poor		

Color Scale

AGS	0.0	0.5	1.0	1.5	2.0	2.5	3.0	3.5	4.0	4.5	5.0	5.5	6.0	6.5	7.0	7.5	8.0	8.5	9.0	9.5	10.0	To Fancy Yellow		
	Colorless		Near Colorless			Faint			Very Light						Light					Fancy Yellow				
GIA	D	E	F	G	H	I	J	K	L	M	N	O	P	Q	R	S	T	U	V	W	X	Y	Z	Fancy Yellow

Clarity Scale

AGS	0	1	2	3	4	5	6	7	8	9	10
	Flawless/IF	Very Very Slightly Included		Very Slightly Included		Slightly Included			Included		
GIA	Flawless/IF	VVS1	VVS2	VS1	VS2	S11	S12		I1	I2	I3

THIS IS A REPRESENTATION OF THE ACTUAL DOCUMENT ORIGINAL