



AMERICAN GEM SOCIETY
LABORATORIES™

AGS 104078583003

April 27, 2015

1.100 cts



Setting the Highest Standard for Diamond Grading®

The Proprietary Light Performance Diamond Quality® Document

Shape and Style
Measurements

Round Brilliant
6.58 - 6.61 x 4.10 mm

PERFECTION™
CUT FOR PERFORMANCE

Cut Grade

AGS Ideal 0

Light Performance

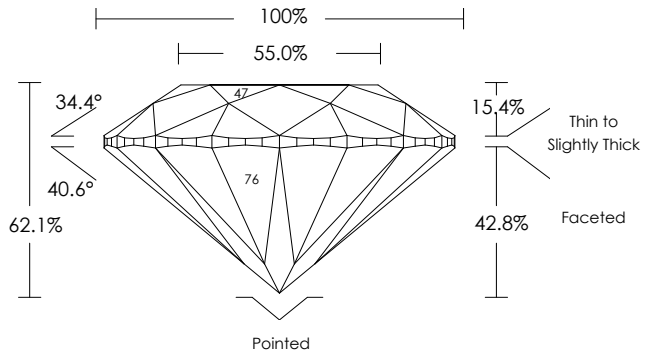
AGS Ideal 0

Polish

AGS Ideal 0

Symmetry

AGS Ideal 0



Color Grade

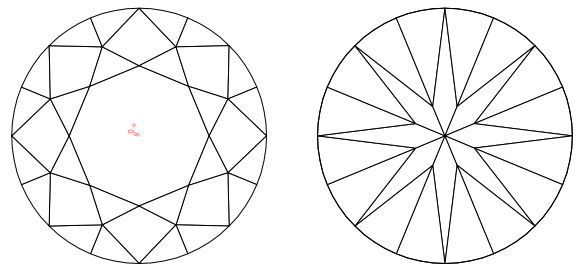
(G) AGS 1.5

Clarity Grade

(VS1) AGS 3

Carat Weight

1.100 cts

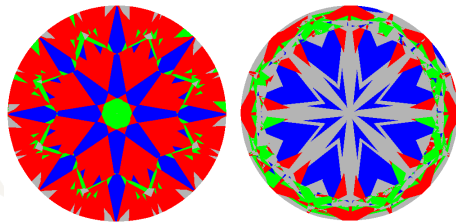


Comments

Fluorescence: Negligible
"AGS 104078583003" has been inscribed on the girdle of this diamond.
The clarity grade of this diamond is partly based on clouds that are not shown.

Key to Symbols

Crystal



AGSL Computer Generated Light Performance Map for this Diamond.
U.S. Patent No: 7,355,683

Brightness Less Bright
 Contrast Light Leakage

Cut Scale

AGS	0	1	2	3	4	5	6	7	8	9	10
	AGS Ideal	AGS Excellent	AGS Very Good	AGS Good		AGS Fair			AGS Poor		

Color Scale

AGS	0.0	0.5	1.0	1.5	2.0	2.5	3.0	3.5	4.0	4.5	5.0	5.5	6.0	6.5	7.0	7.5	8.0	8.5	9.0	9.5	10.0	To Fancy Yellow		
	Colorless			Near Colorless			Faint			Very Light						Light				Fancy Yellow				
GIA	D	E	F	G	H	I	J	K	L	M	N	O	P	Q	R	S	T	U	V	W	X	Y	Z	Fancy Yellow

Clarity Scale

AGS	0	1	2	3	4	5	6	7	8	9	10	
	Flawless/IF	Very Very Slightly Included		Very Slightly Included		Slightly Included		Included				
GIA	Flawless/IF	VVS1	VVS2	VS1	VS2	S11	S12	I1		I2		I3

THIS IS A REPRESENTATION OF THE ACTUAL DOCUMENT ORIGINAL