



AMERICAN GEM SOCIETY
LABORATORIES®

Setting the Highest Standard for Diamond Grading®

AGS 104096081001

September 29, 2017

1.100 cts



The Proprietary Light Performance Diamond Quality® Document

Shape and Style
Measurements

Round Brilliant
6.63 - 6.65 x 4.04 mm

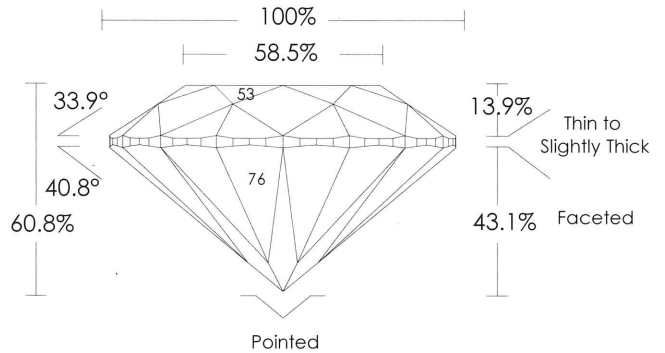
PERFECTION™
CUT FOR PERFORMANCE

Cut Grade

AGS Ideal 0

Light Performance
Polish
Symmetry

AGS Ideal 0
AGS Ideal 0
AGS Ideal 0



Color Grade

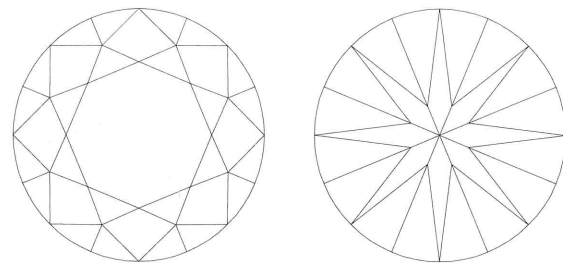
(J) AGS 3.0

Clarity Grade

(VS1) AGS 3

Carat Weight

1.100 cts

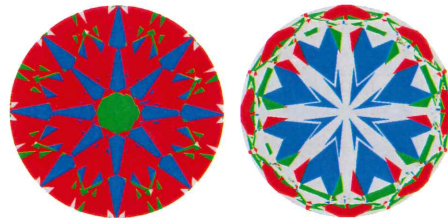


Comments

Fluorescence: Negligible
Girdle inscribed "AGS 104096081001"
Clarity grade based on clouds not shown

Key to Symbols

Needle



AGSL Computer Generated Light Performance Map for this Diamond.
U.S. Patent No: 7382445, 7420657, 7372552

Brightness Less Bright
 Contrast Light Leakage

Cut Scale

AGS	0	1	2	3	4	5	6	7	8	9	10
	AGS Ideal	AGS Excellent	AGS Very Good	AGS Good		AGS Fair			AGS Poor		

Color Scale

AGS	0.0	0.5	1.0	1.5	2.0	2.5	3.0	3.5	4.0	4.5	5.0	5.5	6.0	6.5	7.0	7.5	8.0	8.5	9.0	9.5	10.0	To Fancy Yellow		
	Colorless		Near Colorless			Faint			Very Light				Light						Fancy Yellow					
GIA	D	E	F	G	H	I	J	K	L	M	N	O	P	Q	R	S	T	U	V	W	X	Y	Z	Fancy Yellow

Clarity Scale

AGS	0	1	2	3	4	5	6	7	8	9	10
	Flawless/IF	Very Very Slightly Included		Very Slightly Included		Slightly Included			Included		
GIA	Flawless/IF	VVS1	VVS2	VS1	VS2	S11	S12		I1	I2	I3



ORIGINAL

Copyright © 1996-2015 American Gem Society Laboratories, LLC. All Rights Reserved.