

Colour Grading Scale



Clarity Grading Scale



Cut Grading Scales

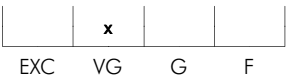
Proportions (round brilliants only)



Polish



Symmetry



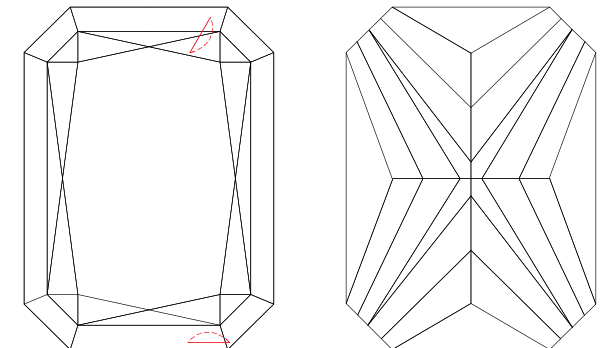
Natural Diamond Certificate 16017155004

June 10, 2016

Shape	radiant
Carat (weight)	1.01 ct
Fluorescence	nil
Colour Grade	rare white + (F)
Clarity Grade	SI2
Cut	
Proportions	very good
Polish	very good
Symmetry	very good

Technical Information

Measurements	5.75 x 5.14 x 4.20 mm
Girdle	medium 5.0% polished
Culet	pointed
Total Depth	81.7 %
Table Width	57 %
Crown Height (β)	19.5 %
Pavilion Depth (α)	58.0 %
Length Halves Crown	
Length Halves Pavilion	
Sum α & β	



The stone in accordance with the mentioned number has been identified as a natural gem diamond.

Selective characteristics have been indicated in order to clarify the description and/or for further identification. Symbols do not usually reflect the exact shape or size of the characteristic.

Gemmologists