



AMERICAN GEM SOCIETY LABORATORIES®

Diamond Quality® Report

AGS 104080824001

August 06, 2015

Shape and Style	Oval Brilliant
Measurements:	15.15 x 10.75 x 5.83 mm
Weight:	7.088 cts.

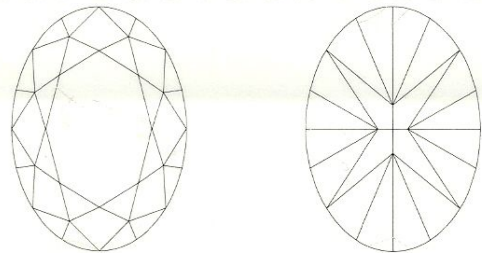
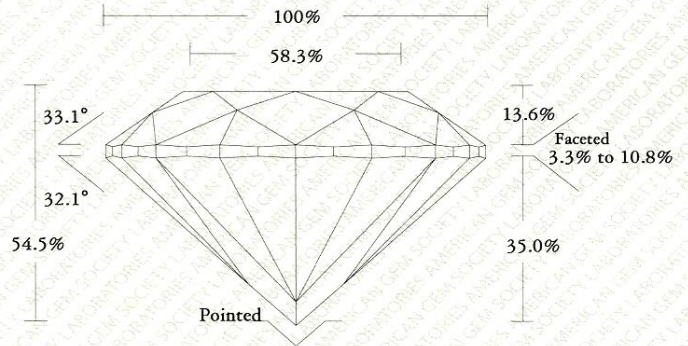
Proportions	
Total Depth:	54.5%
Table:	58.3%
Girdle:	Medium to Extremely Thick, Faceted
Culet:	Pointed

Finish	
Polish:	Very Good
Symmetry:	Good

Color Grade	AGS 2.0 (H)
--------------------	-------------

Clarity Grade	AGS 6 (SI2)
----------------------	-------------

Comments	
Fluorescence:	Negligible
Additional twinning wisps and surface graining are not shown.	



Key to Symbols

- Crystal ○
- Twinning Wisp ✂
- Feather ~
- Natural ^
- Extra Facet ^



PLOT INFORMATION: The Clarity grade is diagrammed using the clarity symbols contained in the *AGS Diamond Standards Manual*. Red marks indicate inclusions; green marks indicate external blemishes.

Color Scale	AGS	0	0.5	1.0	1.5	2.0	2.5	3.0	3.5	4.0	4.5	5.0	5.5	6.0	6.5	7.0	7.5	8.0	8.5	9.0	9.5	10.0	To	Fancy Yellow	
	GIA	D	E	F	G	H	I	J	K	L	M	N	O	P	Q	R	S	T	U	V	W	X	Y	Z	
		COLORLESS			NEAR COLORLESS			FAINT			VERY LIGHT			LIGHT											

Clarity Scale	AGS	0	1	2	3	4	5	6	7	8	9	10
	GIA	FLAWLESS / IF	VVS1	VVS2	VS1	VS2	SI1	SI2	I1	I2	I3	

THIS REPORT IS NOT A WARRANTY, GUARANTEE OR APPRAISAL OF VALUE.

IMPORTANT NOTICE: All three quality factors of Cut, Color, and Clarity can dramatically affect the beauty and value of a diamond. Because of cutting, diamonds with the same color and clarity grades can vary in value by as much as 50% or more. Therefore, it is advisable to consult a Certified Gemologist® or other credentialed gemologist, before purchasing this Diamond.

